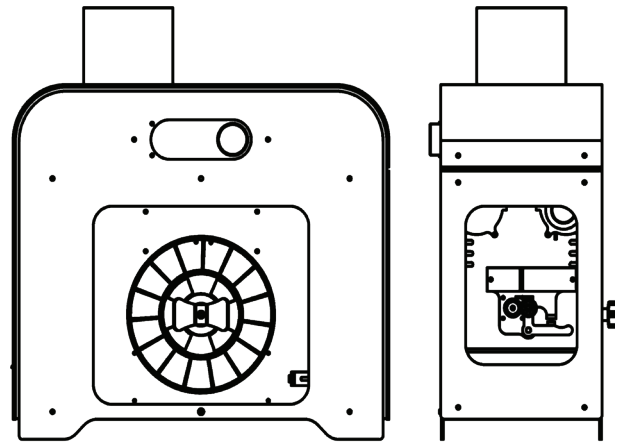


COMPOSER 450

FILAMENT MAKER



COMPOSER 450

Product Specifications



| | | |
|--------------------------------|-------------------------|--|
| Filament Maker Overview | Temperature max. | Max temperature of 450 °C |
| | Band heater | Ceramic |
| | Heating zones | 4 |
| | Purpose | For mixing, compounding & experimentation |
| | Compatible materials | PLA, ABS, PC, PS, PETG, TPU, TPE, PPS, PVA, Bio PE, NEW PET, PA (6,12, 66), PEEK, PC, PS, PEKK, PAEK, PEI, PSU, PES, PTFE, PVD+, and many more |
| | Independent controls | Yes |
| Output | RPM range | 2- 15 RPM |
| | Filament diameter range | 0.5- 3 mm (0.02- 0.12 inches) |
| | Optical sensor accuracy | 43 microns (1.69 mils) |
| | Nozzle extruder | Diameter 4 mm (0.16 inches)- Replaceable |
| Extruder System | Screw/Barrel alloy | High chromium and molybdenum steel alloy |
| | Hardening treatment | Nitrided |
| | Compression | 3 stage |
| | Extruder design | Swappable |
| | Extrusion screw type | Mixing screw |
| Energy | Consumption average | 300- 400 W |
| | Consumption max. | 1300 W |
| | Voltage | 110- 230 V |
| | Frequency | 50- 60 Hz |
| Capacity | Hopper volume | 2 liters |
| | Spool holder | 1 |
| | Spool size | Diameter 240 mm (9.4 inches) Width 120 mm (4.7 inches) |
| Size & Weight | Dimensions | 506 x 216 x 448 mm 19.2 x 8.5 x 17.6 inches |
| | Weight | Extruder (Without box) 24.5 kg (54 lbs) Extruder + box 27 kg (59.5 lbs) |
| Connection | Firmware updates | Regular updates |
| | Extrusion data analysis | DevoVision application |

For more info on the **Composer 450 Filament Maker** or questions about our extrusion ecosystem contact sales at:
sales@3devo.com